



This series of bullet cameras incorporates a camera, lens and a built-in multi-LED infrared illuminator. This integrated package is enclosed in a rugged all-aluminum enclosure which is rated for a wide range of environmental conditions, including under water up to a depth of 30 feet.

The built-in infrared illuminator provides sharp images under virtually zero light conditions. Its adjustable mounting bracket is designed for quick and easy installation.

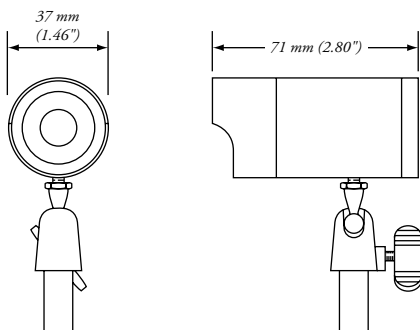
These small and compact cameras are ideal for any covert surveillance system or any applications requiring superior performance under low-light conditions.

FEATURES

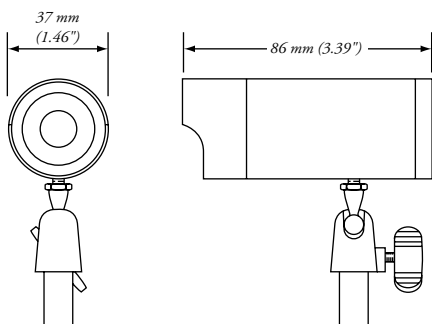
- > Integrated enclosure with camera, lens and infrared illuminator
- > Rugged weatherproof all-aluminum construction
- > Rated for under water use up to 30 feet
- > B&W 1/3 inch CCD with 420 lines
- > Colour 1/3 inch CCD with 380 lines
- > 3.6 mm lens
- > Electronic iris operation
- > 12 VDC power (built-in polarity protection)
- > Adjustable camera mount included
- > 6-foot cable for video/power connection
- > One year warranty

	Color	B&W
Image Device	1/3 inch Color CCD	1/3 inch B&W CCD
Horizontal Resolution	380 TV lines	420 TV lines
Picture Elements	500 horizontal by 582 vertical	542 horizontal by 492 vertical
Minimum Illumination	0 lux up to 20 feet	0 lux up to 20 feet
Video Output	1 Vp-p, 75 ohm composite	1 Vp-p, 75 ohm composite
Lens	3.6 mm	3.6 mm
Sync System	Internal	Internal
S/N Ratio	More than 50 dB (AGC off)	More than 50 dB (AGC off)
Iris Control	Electronic iris	Electronic iris
Shutter Speed	1/50, 1/60 ~ 1/100,000 second	1/50, 1/60 ~ 1/100,000 second
Video Connector	BNC	BNC
Power Connector	Barrel type male	Barrel type male
Operating Temperature	14 to 122 °F; -10 to 50 °C	14 to 122 °F; -10 to 50 °C
Power Requirement	12 VDC	12 VDC
Power Consumption	2.28 watts	1.8 watts
Weight	2.16 lbs; 980 g	2.16 lbs; 980 g
Dimensions (D × L)	1.46 × 3.34 inches; 37 × 86 mm	1.46 × 2.8 inches; 37 × 71 mm

BULLET-BW/IR



BULLET-C/IR



> www.nationalcctv.com

Please visit our website for more information on the entire line of National Electronics™ products.

E.&O.E. All specifications are subject to change without notice. Information furnished is believed to be accurate and reliable. However, no responsibility or liability is assumed by its use, nor for any infringement of patents or other rights of third parties which may result from its use.