



This series of bullet cameras incorporates a camera, lens, and a built-in multi LED infrared illuminator. This integrated package is enclosed in a rugged housing which is rated for a wide range of environmental conditions.

Both the color and B&W cameras incorporate 20 long range 840 nm infrared LEDs for effective coverage up to 40 feet. The infrared illuminator has an auto on/off sensor for low light conditions along with a day/night feature for the colour camera model. These cameras are easy to install with the supplied adjustable bracket and are ideal for any covert surveillance system or any application requiring superior performance under low-light conditions.

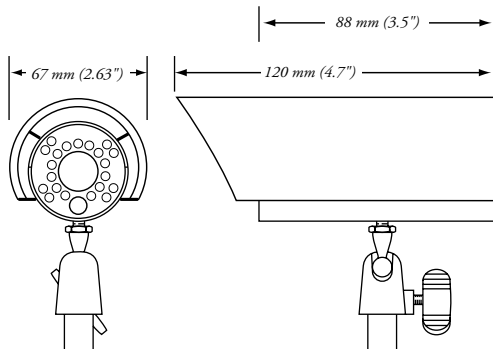
FEATURES

- > Integrated enclosure with camera, lens and infrared illuminator
- > Rugged weatherproof enclosure
- > Rated for underwater use, up to 30 feet
- > B&W 1/3 inch CCD with 420 lines
- > Color 1/3 inch CCD with 380 lines
- > Automatic LED on/off sensing for infrared
- > 12 VDC power with built-in polarity protection
- > Electronic iris operation
- > Adjustable mount and sun shroud included
- > 6-foot cable for video/power connection
- > One year warranty

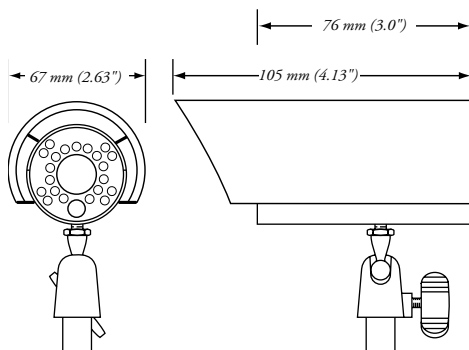
SPECIFICATIONS > BULLET-C/IR21 > BULLET-BW/IR21

	Color	B&W
Image Device	1/3 inch Color CCD	1/3 inch B&W CCD
Horizontal Resolution	380 TV lines	420 TV lines
Picture Elements	500 horizontal by 582 vertical	542 horizontal by 492 vertical
Minimum Illumination	0 lux up to 50 feet; 15 meters	0 lux up to 50 feet; 15 meters
Video Output	1 Vp-p, 75 ohm composite	1 Vp-p, 75 ohm composite
Lens	3.6 mm	3.6 mm
Sync System	Internal	Internal
S/N Ratio	More than 50 dB (AGC off)	More than 50 dB (AGC off)
Backlight Compensation	Auto	Auto
Shutter Speed	1/50, 1/60 ~ 1/100,000 second	1/50, 1/60 ~ 1/100,000 second
Video Connector	BNC	BNC
Power Connector	Barrel type male	Barrel type male
Operating Temperature	14 to 122 °F; -10 to 50 °C	14 to 122 °F; -10 to 50 °C
Power Requirement	12 VDC	12 VDC
Power Consumption	3.36 watts	4.08 watts
Weight	1.54 lbs; 700 g	1.32 lbs; 600 g
Shroud Dimensions (D × L)	2.63 × 4.7 inches; 67 × 120 mm	2.63 × 4.13 inches; 67 × 105 mm

BULLET-C/IR21



BULLET-BW/IR21



> www.nationalcctv.com

Please visit our website for more information on the entire line of National Electronics™ products.

E.&O.E. All specifications are subject to change without notice. Information furnished is believed to be accurate and reliable. However, no responsibility or liability is assumed by its use, nor for any infringement of patents or other rights of third parties which may result from its use.