



This Bullet camera has a fully integrated camera and vari-focal lens assembly built into a rugged weather-proof enclosure with a removable sun shroud. This camera utilizes the latest in CCD technology that offers clear, sharp, high resolution images and great low-light performance.

This camera is easy to install and set-up with the supplied adjustable mounting bracket and a unique built-in 4 to 9 millimeter vari-focal lens with external adjustments which still maintains an outdoor weather-proof rating. This camera's compact design, great performance and 12 VDC power requirement makes it ideal for any covert surveillance system or a wide range of security applications.

FEATURES

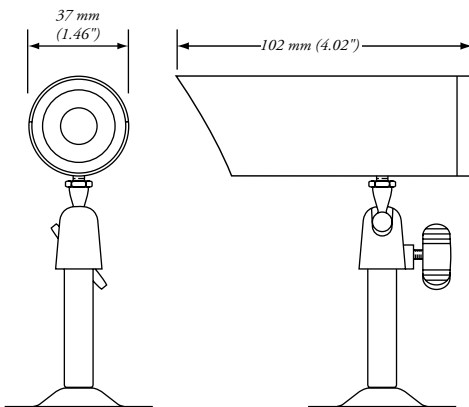
- > Color 1/3 inch with 480 lines resolution
- > 4 to 9 mm vari-focal lens (external adjustment)
- > Rugged weatherproof enclosure
- > Electronic iris operation
- > Low-light sensitivity of 0.1 lux
- > 12 VDC power (built-in polarity protection)
- > Adjustable camera mount and sun shroud included
- > 1 meter cable for video/power connection
- > One year warranty

SPECIFICATIONS > BULLET-C/VF

Color Vari-Focal

Image Device	High resolution 1/3 inch Color CCD
Horizontal Resolution	480 TV lines
Picture Elements	768 horizontal by 494 vertical
Minimum Illumination	0.1 lux at F2.0
Video Output	1 Vp-p, 75 ohm composite
Lens	4 to 9 mm vari-focal manual zoom with external adjustment; F1.6 to F2.4
Sync System	Internal
S/N Ratio	More than 50 dB
Iris Control	Electronic iris
Shutter Speed	1/60 ~ 1/100,000 second
Video Connector	BNC
Power Connector	Barrel type male
Operating Temperature	14 to 122 °F; -10 to 50 °C
Power Requirement	12 VDC
Power Consumption	1.6 watts
Weight	9.2 ounces; 260 g (including bracket)
Dimensions (D × L)	1.46 × 4.02 inches; 37 × 102 mm

BULLET-C/VF



> www.nationalcctv.com

Please visit our website for more information on the entire line of National Electronics™ products.

E.&O.E. All specifications are subject to change without notice. Information furnished is believed to be accurate and reliable. However, no responsibility or liability is assumed by its use, nor for any infringement of patents or other rights of third parties which may result from its use.