



The NL-600 series of mini IR dome cameras offer exceptional image quality with the use of a high quality 1/3-inch color interline transfer CCD and visibility in complete darkness (up to 60 feet) with built-in IR LEDs. The combination of unmatched performance and unique, streamlined design, make the NL-600 series an ideal choice for any CCTV application.

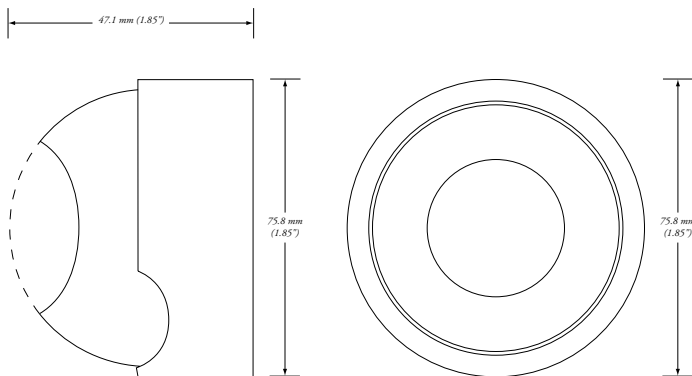
## FEATURES

- > Digital Signal Processing (DSP) for image control
- > 480 TV Lines resolution
- > High sensitivity, low smear, high anti-blooming and high signal-to-noise ratio
- > Auto electronic shutter
- > Auto gain control
- > Compact design
- > Easy to install and use
- > One year parts and labor warranty

SPECIFICATIONS > NL660IR-15M > NL630IR-20M

	NL660IR-15M	NL630IR-15M
<b>Image Device</b>	1/3-inch color CCD	1/3-inch color CCD
<b>Horizontal Resolution</b>	480 TV lines	480 TV lines
<b>Picture Elements</b>	771 Horizontal by 492 Vertical	771 Horizontal by 492 Vertical
<b>Minimum Illumination</b>	0.5 lux at F2.0 day mode and 0 lux in night mode	0.5 lux at F2.0 day mode and 0 lux in night mode
<b>Video Output</b>	1 Vp-p, 75 ohm composite	1 Vp-p, 75 ohm composite
<b>Lens</b>	6 mm, fixed	3 mm, fixed
<b>Sync System</b>	Internal	Internal
<b>S/N Ratio</b>	More than 48 dB (AGC off)	More than 48 dB (AGC off)
<b>Backlight Compensation</b>	Auto	Auto
<b>Iris Control</b>	Auto	Auto
<b>Shutter Speed</b>	1/50, 1/60 ~ 1/100,000 second	1/50, 1/60 ~ 1/100,000 second
<b>Video Connector</b>	BNC	BNC
<b>Power Connector</b>	Barrell type	Barrell type
<b>Operating Temperature</b>	14 to 122 °F; -10 to 50 °C	14 to 122 °F; -10 to 50 °C
<b>Power Requirement</b>	12 VDC	12 VDC
<b>Power Consumption</b>	60 mA (IR off), 410 mA (IR on)	60 mA (IR off), 410 mA (IR on)
<b>Weight</b>	1.10 lbs; 500 g	1.10 lbs; 500 g
<b>Dimensions (L × D × H)</b>	3.74 × 1.85 × 2.98 inches; 95 × 47.1 × 75.8 mm	3.74 × 1.85 × 2.98 inches; 95 × 47.1 × 75.8 mm

NL660IR-15M



> [www.nationalcctv.com](http://www.nationalcctv.com)

Please visit our website for more information on the entire line of National Electronics™ products.

E.&O.E. All specifications are subject to change without notice. Information furnished is believed to be accurate and reliable. However, no responsibility or liability is assumed by its use, nor for any infringement of patents or other rights of third parties which may result from its use.