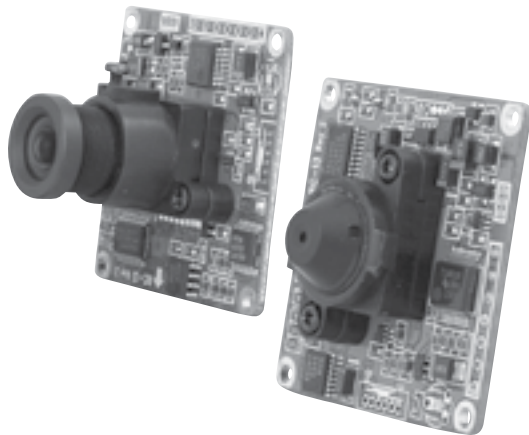


## 1/3 INCH COLOR BOARD CAMERAS > NL-CBC138BL > NL-CBC138CL



These color board cameras use a high quality 1/3 inch CCD chip that offers a horizontal resolution of 380 TV lines. Their compact size and low-light sensitivity of 1.0 lux makes them ideal for a variety of covert security-type applications.

These cameras use the latest in surface mount technology for added reliability and picture performance. Installation is made easy by choosing either the 3.6 mm micro lens (NL-CBC138BL) or the 3.7 mm conical pinhole lens (NL-CBC138CL).

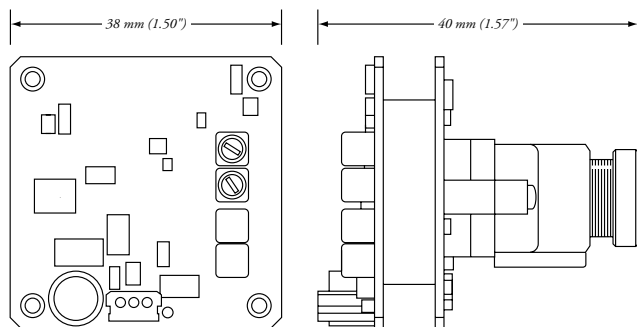
## FEATURES

- > Reliability: with the use of high quality parts and durable CCD, long, trouble-free operation of the camera is assured
- > High quality PCB with the high tech surface mounting technology insures resistance from shock as well as vibration
- > Excellent picture quality
- > Super compact, without loss in picture quality
- > Easily mounted to any type of casing
- > Interchangeable lenses available
- > One year warranty

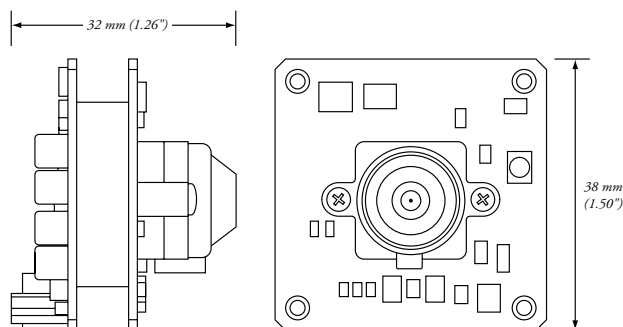
SPECIFICATIONS > NL-CBC138BL > NL-CBC138CL

	Micro Lens Color Board Camera	Conical Lens Color Board Camera
<b>Image Device</b>	1/3 inch interline transfer	1/3 inch interline transfer
<b>Video Output</b>	1.0 Vp-p 75 ohms	1.0 Vp-p 75 ohms
<b>Resolution</b>	Horizontal 380 TV lines	Horizontal 380 TV lines
<b>Minimum Illumination</b>	1.0 lux (regular lens F2.0)	1.0 lux (regular lens F2.0)
<b>Synchronization</b>	Internal	Internal
<b>Lens</b>	3.6 mm micro with electronic shutter, max 1/100,000 sec	3.7 mm conical pinhole with electronic shutter, max 1/100,000 sec
<b>Signal To Noise Ratio</b>	More than 46 dB	More than 46 dB
<b>Video Connector</b>	BNC	BNC
<b>Power Connector</b>	Barrel type	Barrel type
<b>Operating Temperature</b>	4 to 140 °F; -20 to 60 °C	4 to 140 °F; -20 to 60 °C
<b>Operating Humidity</b>	RH 85% max	RH 85% max
<b>Power Requirement</b>	12 VDC ± 20%	12 VDC ± 20%
<b>Power Consumption</b>	180 mA	180 mA
<b>Weight</b>	1 ounce; 28.5 g	1 ounce; 28.5 g
<b>Dimensions (W × H × D)</b>	1 1/2 × 1 1/2 × 1 5/8 inches; 38 × 38 × 40 mm	1 1/2 × 1 1/2 × 1 1/4 inches; 38 × 38 × 32 mm
<b>Optional Lenses</b>	BL 1.9: 1.9 mm micro BL 2.97: 2.97 mm micro BL 6.0: 6.0 mm micro BL 8.0: 8.0 mm micro BL 12.0: 12.0 mm micro BL 16: 16.0 mm micro	PL 3.7: 3.7 mm peak pinhole lens PL 5.0: 5.0 mm peak pinhole lens CL 3.7: 3.7 mm conical pinhole lens CL 5.0: 5.0 mm conical pinhole lens FL 2.8: 2.8 mm flat pinhole lens FL3.7: 3.7 mm flat pinhole lens FL5.0: 5.0 mm flat pinhole lens

NL-CBC138BL



NL-CBC138CL



> [www.nationalcctv.com](http://www.nationalcctv.com)

Please visit our website for more information on the entire line of National Electronics™ products.

E.&O.E. All specifications are subject to change without notice. Information furnished is believed to be accurate and reliable. However, no responsibility or liability is assumed by its use, nor for any infringement of patents or other rights of third parties which may result from its use.