



Available in color (NL-CD173) and black & white (NL-MD167), these indoor dome cameras can be used in either wall or ceiling surface mount applications.

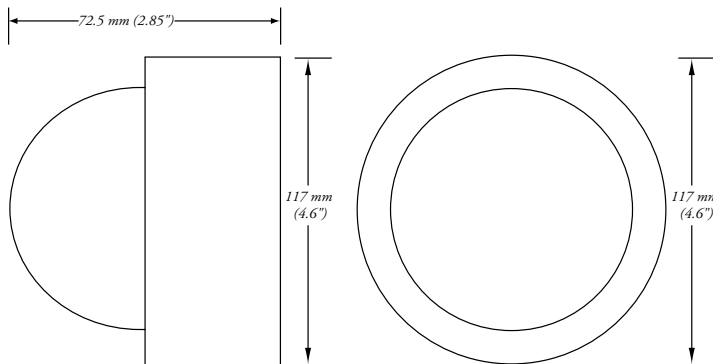
These National Electronics cameras use a high quality 1/3 inch CCD chip that offers up to 380 lines of resolution on the B&W model and 330 lines of resolution on the color model. Covering a wide area is made easy with the 3.6 millimeter lens, standard in both color and black & white models. The combination of these cameras' versatility and high quality optics package with cost-effective pricing make these dome cameras an ideal choice for many indoor application.

FEATURES

- > Fully integrated dome enclosure with camera and lens
- > B&W model: 1/3 inch CCD, 380 TV lines resolution
- > Color model: 1/3 inch CCD, 330 TV lines resolution
- > Wall or ceiling surface mountable
- > 3.6 mm lens, standard
- > Additional lenses available
- > 12 VDC
- > One year warranty

	Color	B&W
Image Device	1/3 inch Color CCD	1/3 inch B&W CCD
Horizontal Resolution	330 TV lines	380 TV lines
Picture Elements	510 horizontal by 492 vertical	512 horizontal by 492 vertical
Minimum Illumination	0.8 lux at F1.2, 50 IRE	0.1 lux at F3.8, 50 IRE
Video Output	1 Vp-p, 75 ohm composite	1 Vp-p, 75 ohm composite
Lens	3.6 mm, F2.0 fixed	3.6 mm, F3.8 fixed
Sync System	Internal	Internal
S/N Ratio	50 dB	46 dB
Backlight Compensation	Auto	Auto
Iris Control	Electronic iris	Electronic iris
Shutter Speed	1/60 ~ 1/100,000 second	1/60 ~ 1/100,000 second
Video Connector	BNC female	BNC female
Power Connector	Barrel type male	Barrel type male
Operating Temperature	32 to 122 °F; 0 to 50 °C	32 to 122 °F; 0 to 50 °C
Power Requirement	12 VDC	12 VDC
Power Consumption	2 watts	2 watts
Weight	8.1 ounces; 230 g	8.1 ounces; 230 g
Dimensions (D × H)	4 5/8 × 2 7/8 inches; 117 × 72.5 mm	4 5/8 × 2 7/8 inches; 117 × 72.5 mm

INDOOR DOME CAMERAS



> www.nationalcctv.com

Please visit our website for more information on the entire line of National Electronics™ products.

E.&O.E. All specifications are subject to change without notice. Information furnished is believed to be accurate and reliable. However, no responsibility or liability is assumed by its use, nor for any infringement of patents or other rights of third parties which may result from its use.