

The NL-MBC42 series of high quality B&W board cameras utilize a 1/3 inch CCD with 420 lines of resolution.

Compact in size, these cameras can offer good low-light capabilities requiring only 0.05 lux of scene illumination.

These cameras are available with a board lens or conical pinhole 3.7 millimeter lens for ease of installation in any covert surveillance-type application.

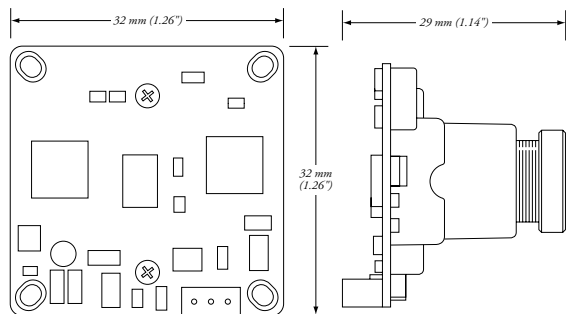
FEATURES

- > Reliability: with the use of high quality parts and durable CCD, a long, trouble-free operation of the camera is assured
- > High quality PCB with the new high tech surface mounting technology insures resistance from shock as well as vibration
- > Super compact, without loss in picture quality
- > Easily mounted to any type of casing
- > Interchangeable lenses available (microcam only)
- > One year warranty

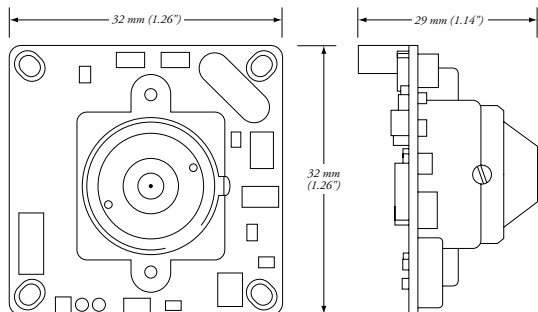
SPECIFICATIONS > NL-MBC42BL > NL-MBC42CL

	Micro Lens B&W Board Camera	Conical B&W Color Board Camera
Image Device	1/3 inch interline transfer	1/3 inch interline transfer
Video Output	1.0 Vp-p 75 ohms	1.0 Vp-p 75 ohms
Resolution	Horizontal 420 TV lines	Horizontal 420 TV lines
Minimum Illumination	0.05 lux	0.05 lux
Synchronization	Internal	Internal
Lens	3.7 mm micro with electronic shutter, max 1/100,000 sec	3.7 mm conical pinhole with electronic shutter, max 1/100,000 sec
Signal To Noise Ratio	More than 50 dB	More than 50 dB
Video Connector	BNC	BNC
Power Connector	Barrel type	Barrel type
Operating Temperature	14 to 131 °F; -10 to 55 °C	14 to 131 °F; -10 to 55 °C
Operating Humidity	Under 90% non-condensing	Under 90% non-condensing
Power Requirement	9 to 15 VDC	9 to 15 VDC
Power Consumption	80 mA	80 mA
Weight	1 ounce; 30 g	1 ounce; 30 g
Dimensions (W × H × D)	1 1/4 × 1 1/4 × 1 1/8 inches; 32 × 32 × 29 mm	1 1/4 × 1 1/4 × 1 1/8 inches; 32 × 32 × 29 mm
Optional Lenses	BL 1.9: 1.9 mm micro BL 2.97: 2.97 mm micro BL 6.0: 6.0 mm micro BL 8.0: 8.0 mm micro BL 12.0: 12.0 mm micro BL 16: 16.0 mm micro	PL 3.7: 3.7 mm peak pinhole lens PL 5.0: 5.0 mm peak pinhole lens CL 3.7: 3.7 mm conical pinhole lens CL 5.0: 5.0 mm conical pinhole lens FL 2.8: 2.8 mm flat pinhole lens FL3.7: 3.7 mm flat pinhole lens FL5.0: 5.0 mm flat pinhole lens

NL-MBC42BL



NL-MBC42CL



> www.nationalcctv.com

Please visit our website for more information on the entire line of National Electronics™ products.

E.&O.E. All specifications are subject to change without notice. Information furnished is believed to be accurate and reliable. However, no responsibility or liability is assumed by its use, nor for any infringement of patents or other rights of third parties which may result from its use.